

JetCon 2204

4-port RS-232 to USB Converter

- Adds 4 RS-232 serial ports to PC or notebook over USB port
- Supports USB 2.0, and backwards compatible with USB 1.1/1.0
- Supports baud rate from 75 bps to 115.2 Kbps
- 512-byte deep FIFO
- Built-in 16KV ESD Surge Protection
- Supports Windows 98/Me/2000/XP/2003
- Supports both USB bus power and external power



Overview

JetCon 2204 is a 4-port RS-232 to USB converter. With more PCs come with USB ports instead of COM ports, and RS-232 devices still occupy a great portion in some applications, such as point-of-sale, banking, mobile computing, and industrial automation, you need a cost-effective USB-to-Serial solution to help you extend COM ports on your PC. That's exactly where JetCon 2204 comes in. JetCon 2204 gives you an easy plug-n-play solution with 4 independent RS-232 ports. The USB interface not only gives you the plug-n-play capability,

but also allows you to hot swap without powering on/off your PC. And extending your COM ports via the USB port can relieve you from the need to open the chassis, reconfigure and reboot. And with USB 1.1 standard that is compatible with USB 2.0 and 1.0, you can be assured that JetCon 2204 can work with any PC or device with USB interface. JetCon 2204 also provides both USB bus and external power to give you flexible power supply connection.



Specifications

Technology

Standard: USB 1.1, 1.0, USB 2.0 backwards compatible

Interface

USB

Connector: Type B

Speed: Full speed 12 Mbps for each port

Serial

Interface: RS-232

Connector: Male DB9 x 4

RS-232 Signals: TxD, RxD, RTS, CTS, DTR, DSR, GND, DCD

Serial line Protection: 16 V ESD

Performance

Baud Rate: 75 bps to 115.2 bps

Data Bits: 5, 6, 7, 8

Parity: odd, even, none

Stop Bits: 1, 1.5, 2

Flow Control: XON/XOFF, RTS/CTS

FIFO: 512 bytes

Power Requirements

Input:

Bus Power 5 VDC

Ext. Power 5 VDC

Consumption:

Bus Power 250mA at 5 VDC

Ext. Power 250mA at 5 VDC

Operating Systems: Windows 98/Me/2000/XP/2003

Mechanical

Material: ABS

Dimensions: 150 x 67 x 26 mm (5.9 x 2.64 x 1.02 in)

Weight: 145g ± 5g

Environmental

Operating Temperature: 0 to 55°C (32 to 131°F)

Operating Humidity: 5% to 95% RH

Storage Temperature: -20 to 85°C (-4 to 185°F)

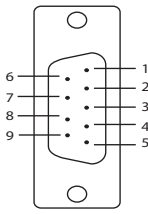
Regulatory Approvals

EMI: FCC-Class B, CE- Class B

Warranty: 5 years

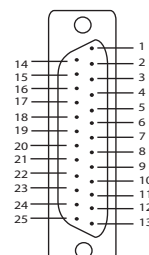
Pin Assignments

RS-232 DB9 Male



Pin No.	Signal
1	DCD
2	RxD
3	TxD
4	DTR
5	GND
6	DSR
7	RTS
8	CTS

RS-232 DB25 Male



Pin No.	Signal
2	TxD
3	RxD
4	RTS
5	CTS
6	DSR
7	GND
8	DCD
20	DTR

Ordering Information

JetCon 2204 4-port RS-232 to USB Converter

Includes:

- 4-port RS-232 to USB Converter
- Quick Installation Guide
- Documentation and Software CD-ROM
- A to B USB Cable (1.8m)